

PTC/PDT10SR-484 Pressure/Differential Pressure Transmitting Controller

Features

- Φ150mm standard pressure gauge outline;
- 31/2 digit LED digital indicator displaying pressure value;
- Max. 5 relay outputs, free setting and display; stable operation;
- Wider power supply range, optional analog output signal;
- Stainless steel material contacting with media, aluminum-alloy electronic housing;
- 316L stainless steel diaphragm, flush diaphragm (only pressure type) and tantalum diaphragm (only pressure type) optional;
- Strict aging testing, stable and reliable performance ;



Introduction

The product is an integrated multi-functional transmitter with analog circuit, can measure and display liquid pressure or differential pressure as well as standard output signal at local place. The transmitter provides max.5 relay outputs, special production technics making operation stable and reliable. It can be used for flow pressure and differential pressure measure, display and control for power station, water supply and drainage, petroleum and chemi-industry, etc.

Specifications

PTC10SR-484	Pressure range: -0.1...0~0.01...100MPa Overpressure: 1.5 times FS or 110MPa (min.value is valid)		
PDT10SR-484	Differential pressure range	Overpressure	
		+	-
	0~35kPa	70kPa	35kPa
	0~70kPa	140kPa	70kPa
	0~100kPa	200kPa	100kPa
	0~200kPa	400kPa	200kPa
	0~350kPa	700kPa	350kPa
	0~700kPa	1400kPa	700kPa

	0~1MPa	2MPa	1MPa
	0~2MPa	4MPa	1MPa
	0~3.5MPa	7MPa	1MPa
	Static pressure	≤20MPa	

Output signal accuracy: ±0.25%FS (typ.) ±0.5%FS (max.)

Display accuracy: ±1 digit

Relay control accuracy: ≤1%FS

Power supply effect: ≤0.1%FS

Long-term stability: ≤0.5%FS/year

Environment temp.: -10℃~60℃ Frequency: 0~300Hz

Media temp.: -10℃~80℃ Acceleration: ≤3×9.81ms⁻²

Storage temp.: -40℃~100℃ Impact: ≤10×9.81ms⁻²

Relative humidity: 0~80%

Output signal: 0/4~10/20mADC 0/1~5/10VDC

Transmitting: 4-wire 4-wire

Power voltage: 220VAC, 220VDC or 24VDC

Max. consumption: ≤4W

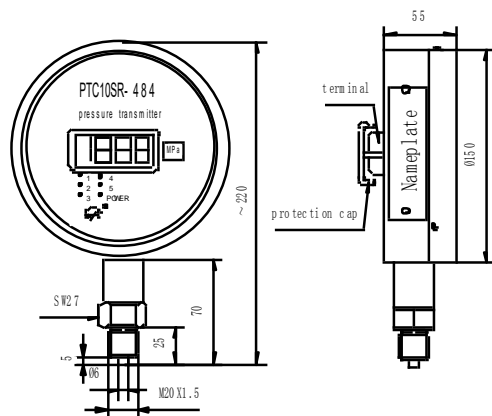
Relay load: 240V/3A(AC), 30V/5A(DC)

Relay life: >100000 次

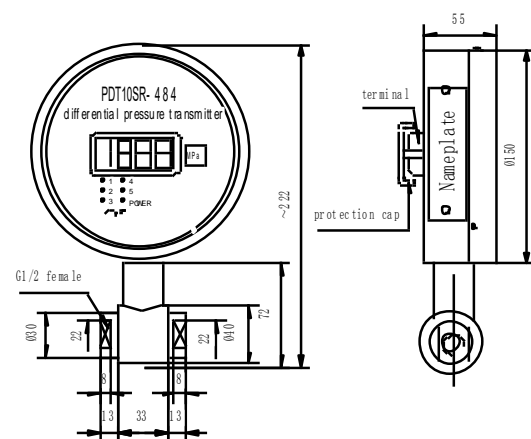
Displayed character height: 0.56 inch LED red

Outline Construction

(Unit: mm)

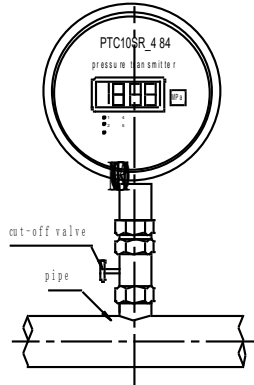


PTC10SR-484 Outline Construction and Dimension

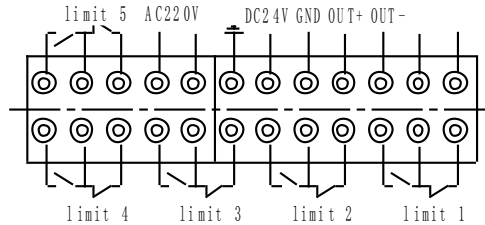


PDT10SR-484 Outline Construction and Dimension

Application Example



Electric Connection



Order Guide

PTC10SR-484	Pressure Transmitting Controller		
PDT10SR-484	Differential Pressure Transmitting Controller		
	Code	Pressure range: kPa or MPa	
	[0~X]kPa or MPa	-0.1...0~0.01...100MPa	X=MPM484 actual measure range
		0~35kPa...3.5MPa	X=MDM484 actual measure range
	Code	Output signal	
	E	4~20mADC	
	F	1~5VDC	
	J	0~5VDC	
	Q	0~10mADC	
	U	0~20mADC	
	V	0~10VDC	
	Code	Construction material	
		Diaphragm	Pressure port
	22	SS 316L	SS
	24	SS 316L	SS 316L
	25	Tantalum	SS
	35	Tantalum	Hastelloy C
	Code	Others	
	PC ₁	Flush diaphragm, M20×1.5 male	
	PC ₃	Flush diaphragm, G1/2 male	
	C ₁	M20×1.5 male, face type seal	
	C ₃	G1/2 male (for type P)	
	C ₄	G1/4 female	
	C ₅	M20×1.5 male, waterline seal	
	G	Gauge	

					S	Sealed gauge
					A	Absolute
					J _n	Reply quantity, n=1~5
					V ₁	Power supply 24VDC
					V ₂	Power supply 220VAC
PTC10SR-484[0~100]kPa					E	22
					M ₃ C ₁ GJ ₃	V ₂
					the whole spec	

Order Note

1. Product wiring terminals are at the back of the electronic housing; in order to prevent damaging; we suggest the user to do full protection in local place;
2. Please note relay quantity, control pressure range in the order;
3. Code 25, 36 in the order guide is just used for gauge pressure product; P, C1, C3, C5, G, A and S are only used for gauge pressure product;
4. For PDT10SR-484 product, please pay attention to overpressure of positive and negative cavity should be suitable to max. Pressure; we suggest to install tri-valve between measured point and transmitter to make pressure adding on positive and negative cavity slowly;
5. Flush diaphragm transmitter's pressure range 0~70kPa...35Mpa;
6. If the user has special requirement, please feel free to contact our company;